

# Model JAH-0C 600 V

**Indoor Current Transformer, 10 kV BIL, 200 - 4,000 A  
Window Diameter 4.00"/5.75"**

## Application

Designed for indoor service. Suitable for operating meters, relays and control devices, on circuits not exceeding 600 V line-to-line. It may be used on higher voltage circuits with an insulated conductor. Refer to the Applications Information section of catalog GEP-9186.



## Regulatory Agency Approvals

UL Recognized File .....E93779

## Reference Drawings

Outline .....0121C33700

## Weight

(approximate)

Transformers with 4.00" window.....11 lbs

Transformers with 5.75" window.....9.5 lbs

## Insulation Level

0.6 kV; BIL 10 kV full wave.

## Frequency

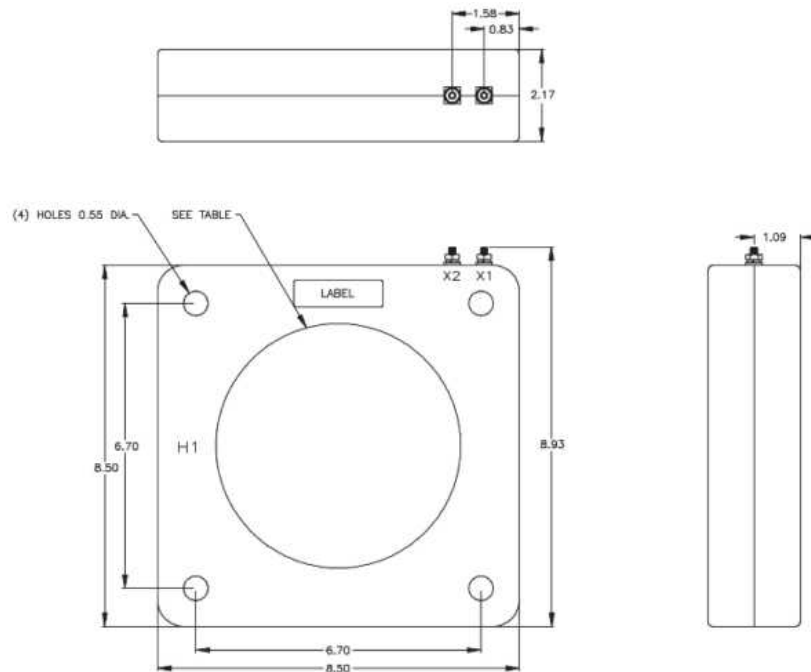
50-60 Hz

## Model JAH-0C

Current Ratio (Amps) Pri : Sec	ANSI Accuracy Class, 60 Hz		Continuous Thermal-Current Rating Factor		Window Diameter (inches)	Catalog Number
	Meter Class, Burden	Relay Class	30 °C Ambient	55 °C Ambient		
200:5	1.2 thru B0.2	C 10	2.0	2.0	4.00	750X114012
250:5	0.6 thru B0.2	C 10	2.0	2.0	4.00	750X114017
300:5	0.3 thru B0.2	C 10	2.0	2.0	4.00	750X114013
400:5	0.3 thru B0.2	C 20	2.0	2.0	4.00	750X114001
500:5	0.3 thru B0.5	C 20	2.0	1.5	4.00	750X114002
600:5	0.3 thru B0.5	C 20	2.0	1.5	4.00	750X114003
800:5	0.3 thru B1.8	C 20	1.5	1.33	4.00	750X114004
1,000:5	0.3 thru B1.8	C 20	1.5	1.5	5.75	750X114005
1,200:5	0.3 thru B1.8	C 20	1.5	1.33	5.75	750X114006
1,500:5	0.3 thru B1.8	C 50	1.5	1.0	5.75	750X114007
2,000:5	0.3 thru B1.8	C 50	1.33	1.0	5.75	750X114008
2,500:5	0.3 thru B1.8	C 50	1.0	0.8	5.75	750X114009
3,000:5	0.3 thru B1.8	C 50	1.0	0.8	5.75	750X114010
4,000:5	0.3 thru B1.8	C 50	1.0	0.8	5.75	750X114011



## JAH-OC Dimensions



### Construction and Insulation

The core and coil are enclosed in a case molded with GE Valox thermoplastic polyester resin. This material has excellent electrical and mechanical properties over a wide temperature range, and is resistant to oil and a variety of chemicals.

### Core and Coils

The core is made from high quality grain oriented silicon steel, annealed under rigidly controlled factory conditions. The secondary winding is made of heavy enameled copper wire. The secondary windings are evenly distributed around the core for maximum accuracy and resistance to stray fields from adjacent conductors.

### Terminals

Secondary terminals are No. 8-32 brass studs with one flatwasher, one lockwasher and a regular nut. Because the transformer is used primarily in enclosed switchgear compartments, which cannot be opened while the transformer is energized, a secondary shorting device and terminal cover are not provided.

### Polarity

Primary and secondary polarity marks H1 and X1 are molded into the case.

### Primary Conductor

A bus or insulated cable forms the primary winding.

### Nameplates

The nameplate is a polyester label attached to the face of the transformer.

### Mounting

The transformer can be mounted in any position. An optional mounting bracket kit (part number 0021B00185) is available. This kit must be ordered separately if required.

### Maintenance

These transformers require no maintenance, other than occasional cleaning, if installed where air contamination is severe.

ITI\_Model\_JAH\_OC-Spec-EN-2018-01-Grid-AIS-1387. © Copyright 2018. General Electric Company and Instrument Transformers LLC reserve the right to change specifications of described products at any time without notice and without obligation to notify any person of such changes.

